



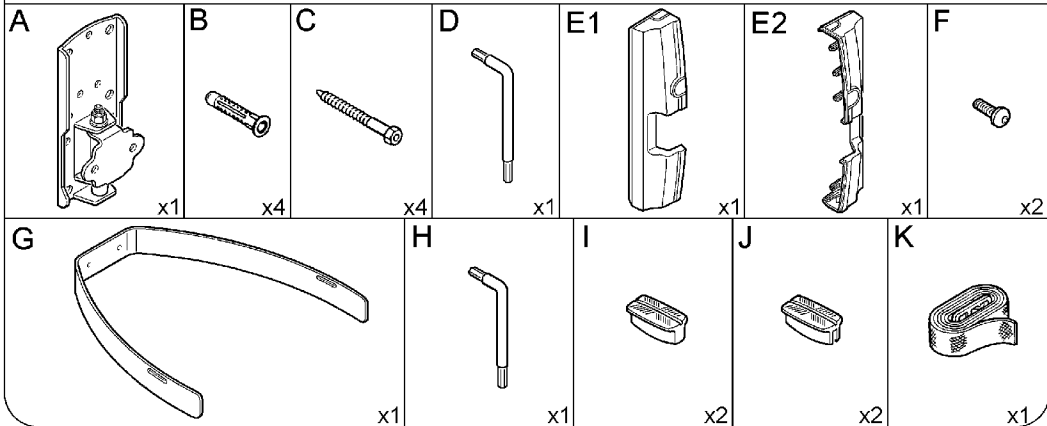
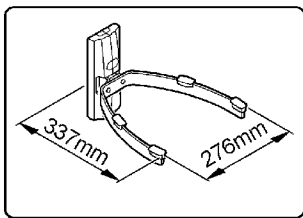
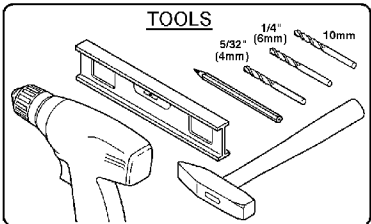
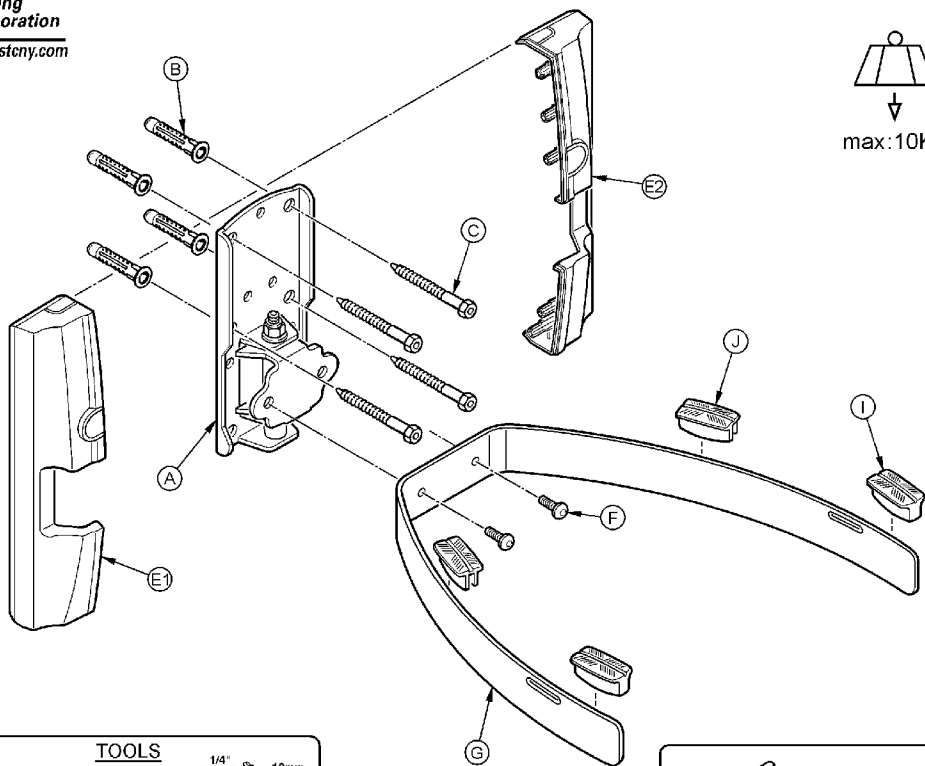
Systems
Trading
Corporation
www.stcny.com

- 1 -

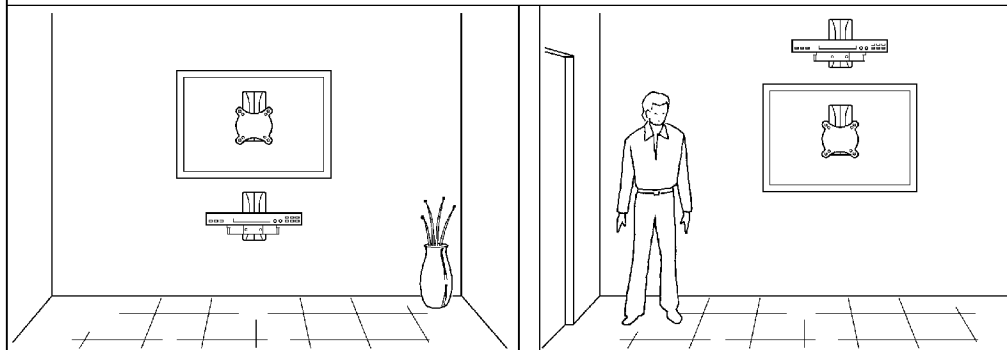
50500



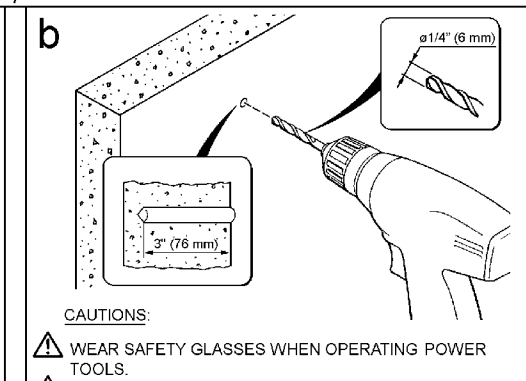
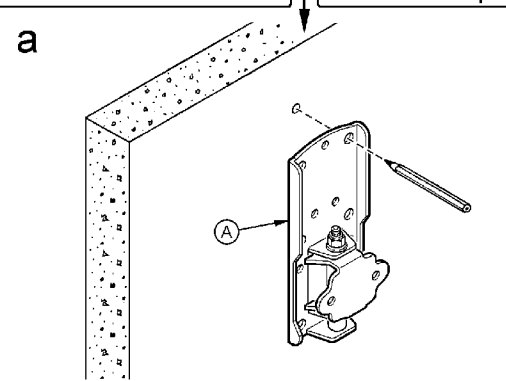
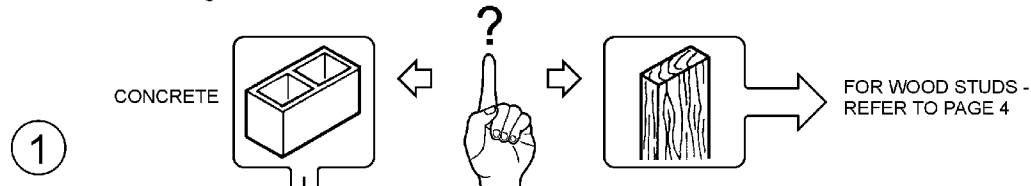
max: 10Kg



- 2 -



WARNING: Use with heavier than the maximum weights indicated may result in instability causing possible injury.
Caution Marking - The following caution marking provided on the supporting surface of the product and installation instruction.



* BRICK, CONCRETE BLOCK OR SOLID CONCRETE (3000 PSI).
* PLASTER WALL: MAX 15mm.

